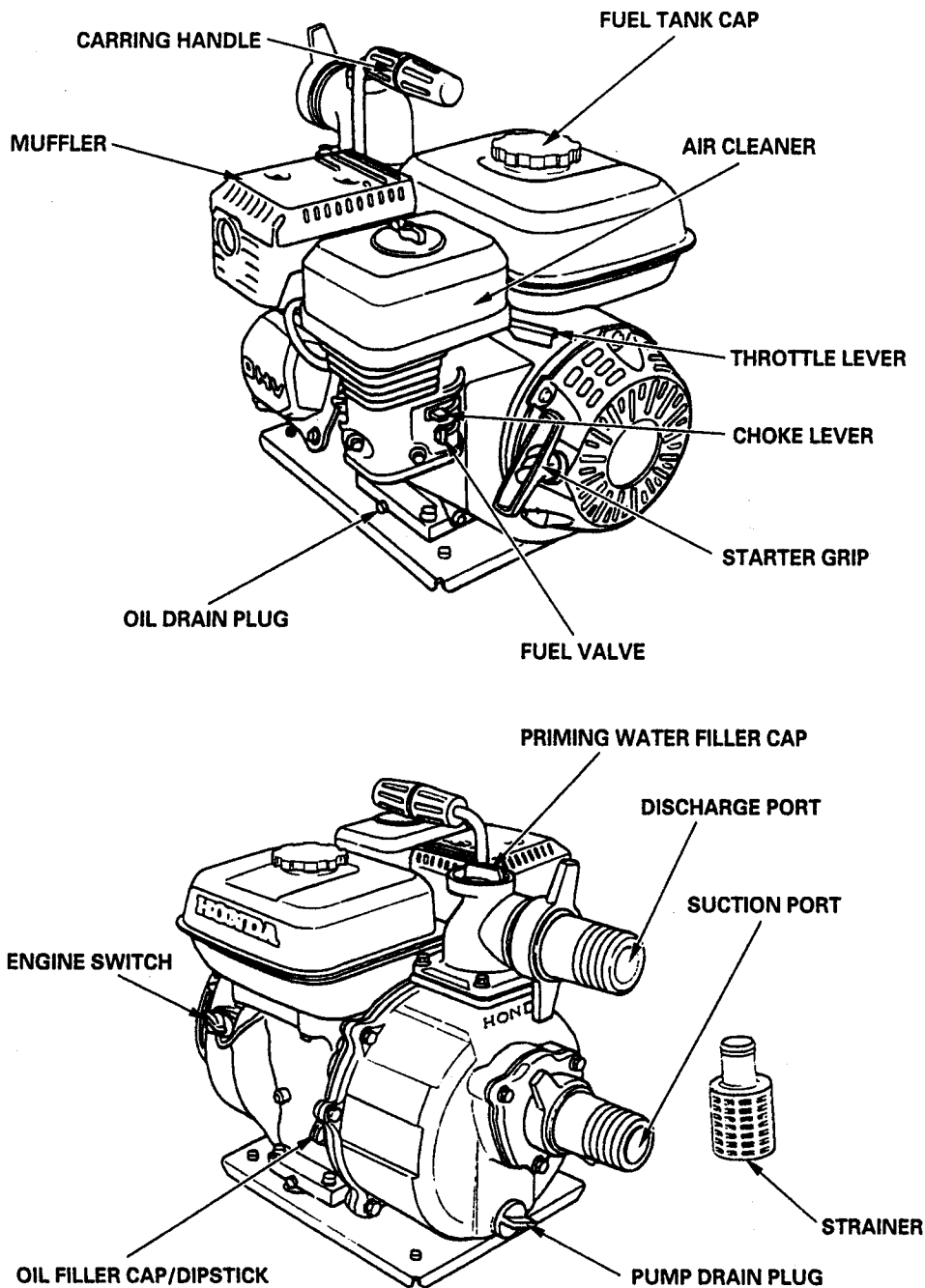


COMPONENT IDENTIFICATION



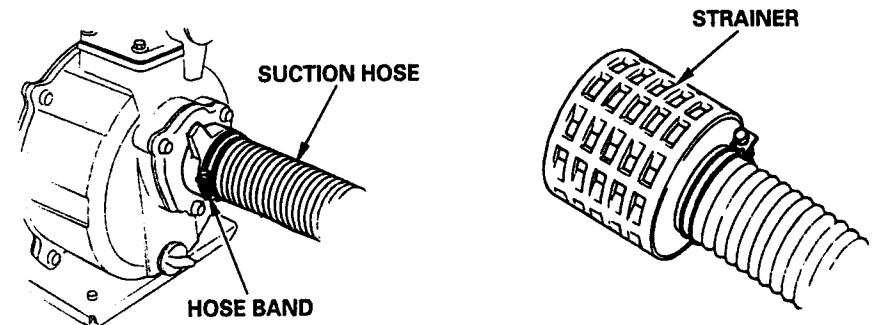
PRE-OPERATION FOR STARTING

1. Connect the suction hose.

Use commercially available hose, hose connector, and hose bands. The suction hose must be of reinforced, noncollapsible construction. Suction hose length should not be longer than necessary, as pump performance is best when the pump is not far above the water level. Self-priming time is also proportional to hose length. The strainer that is provided with the pump should be attached to the end of the suction hose with a band, as shown.

CAUTION:

Always install the strainer on the end of the suction hose before pumping. The strainer will exclude debris that can cause clogging or impeller damage.

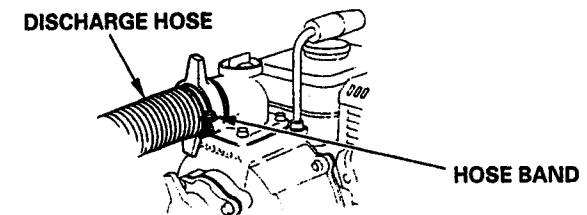


2. Connect the discharge hose.

Use a commercially available hose, hose connector, and hose band. A short, large-diameter hose is most efficient. Long or small-diameter hose increases fluid friction and reduces pump output.

NOTE:

Tighten the hose band securely to prevent the hose from disconnecting under high pressure.



STARTING THE ENGINE

1. Turn the fuel valve ON.
2. Close the choke lever.

NOTE:

Do not use the choke if the engine is warm or the ambient temperature is high.

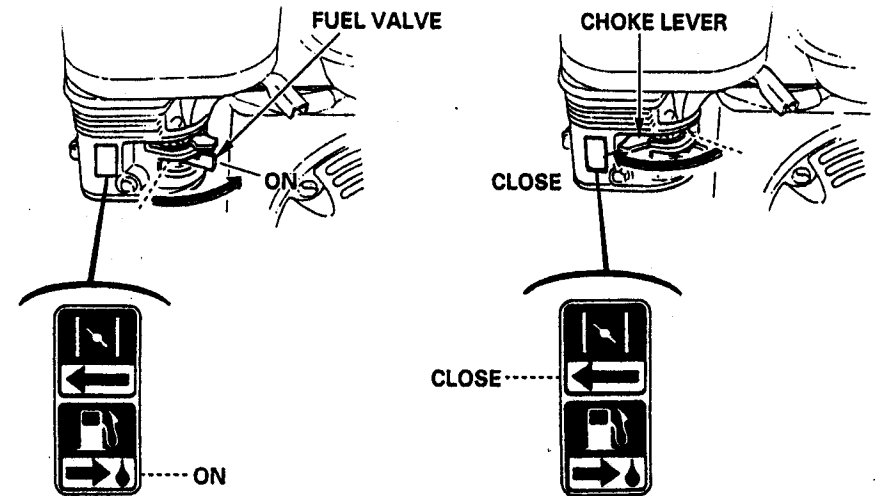
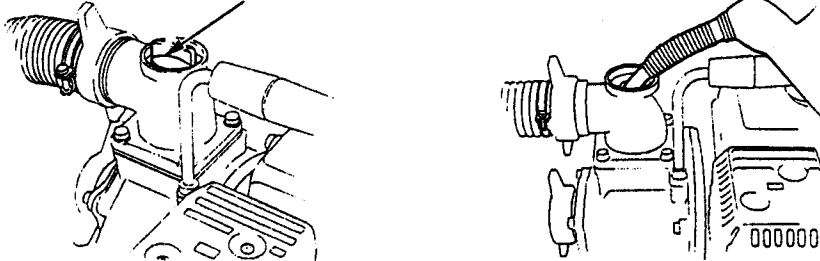
Check the priming water.

The pump chamber should be primed with full of water before operating.

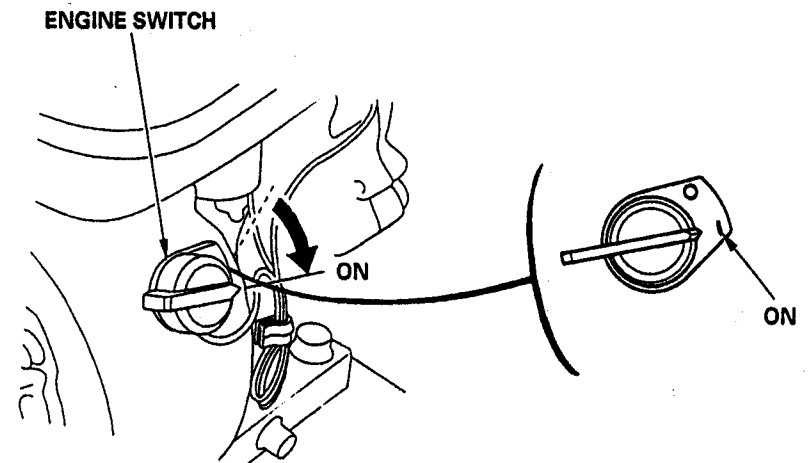
CAUTION:

Never attempt to operate the pump without priming water or the pump will overheat. Extended dry operation will destroy the pump seal. If the unit has been operated dry, stop the engine immediately and allow the pump to cool before adding priming water.

PRIMING WATER FILLER CAP

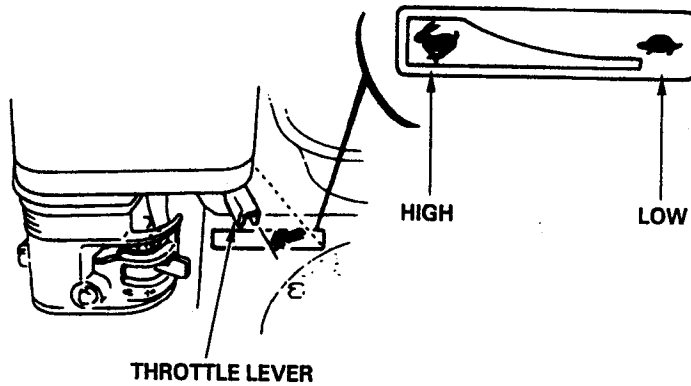


3. Turn the engine switch to the ON position.



STOPPING THE ENGINE

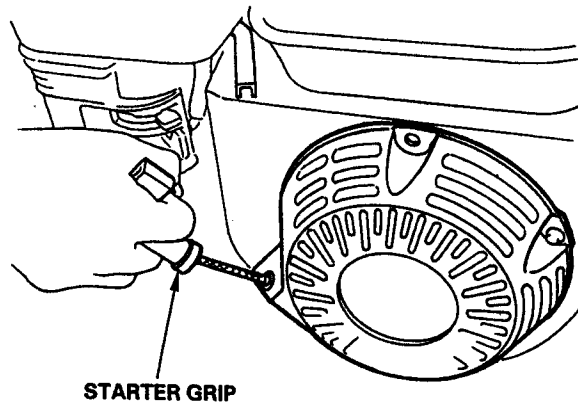
4. Move the throttle lever slightly to the left.



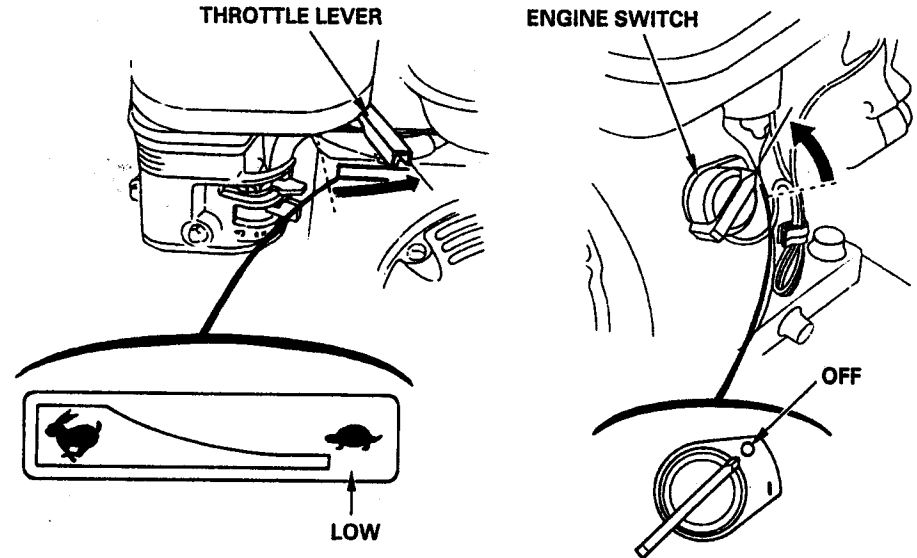
5. Pull the starter grip lightly until resistance is felt, then pull it briskly.

CAUTION:

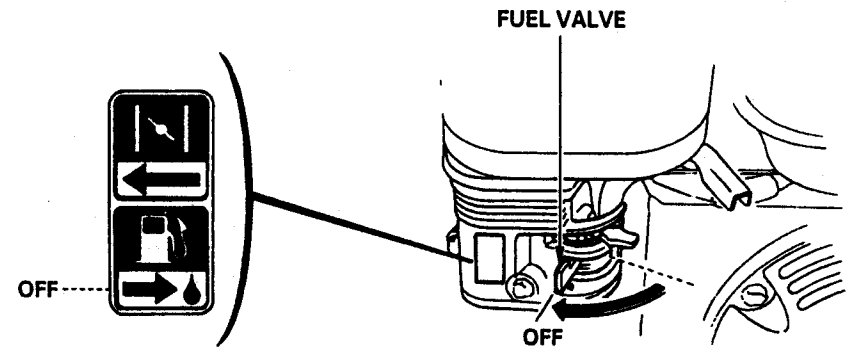
Do not allow the starter grip to snap back against the engine. Return it gently to prevent damage to the starter.



1. Move the throttle lever fully to the right.
2. Turn the engine switch to the OFF position.



3. Turn the fuel valve OFF.



NOTE:

To stop the engine in an emergency, turn the engine switch to the OFF position.